



Datenblatt - Fiche technique - Data sheet

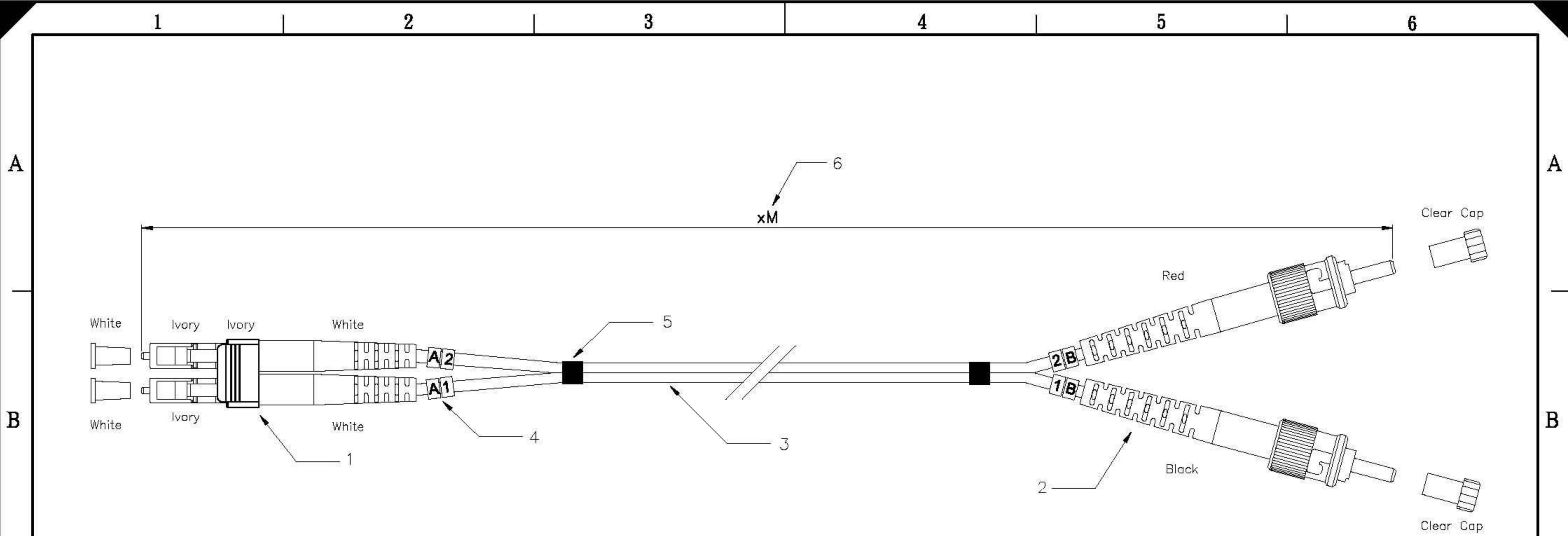
**21.99.9955**



VALUE LWL-Kabel 50/125 $\mu$ m LC/ST, grau, 5m

VALUE Câble patch FO 50/125 $\mu$ m LC/ST, gris, 5m

VALUE Fibre Optic Jumper Cable 50/125 $\mu$ m LC/ST, grey, 5 m



Specification:

- 1. Connector Type : LC Multimode
- 2. Connector Type : ST Multimode
- 3. Cable Type :
  - 3-1. Zipcord cable,  $\phi 3.0\text{mm}$ , 50/125um Multimode
  - 3-2. Calbe Jacket : Gray color, PVC material
- 4. Cable Marker
- 5. Shrink Tube
- 6. Length : xM

Remark#

21.15.9951	ROLINE FO Cab.,50/125,LC-ST,grey,1m
21.15.9952	ROLINE FO Cab.,50/125,LC-ST,grey,2m
21.15.9953	ROLINE FO Cab.,50/125,LC-ST,grey,3m
21.15.9955	ROLINE FO Cab.,50/125,LC-ST,grey,5m
21.15.9960	ROLINE FO Cab.,50/125,LC-ST,grey,10m
21.99.9952	VALUE FO Cab.,50/125,LC-ST,grey,2m
21.99.9953	VALUE FO Cab.,50/125,LC-ST,grey,3m
21.99.9955	VALUE FO Cab.,50/125,LC-ST,grey,5m

Performance:

- a. Insertion Loss :  $< 0.5 \text{ dB}$
- b. Fiber Extention :  $-0.05\mu\text{m} < H < +0.05\mu\text{m}$
- c. LC Ferrule End-face Radius :  $7 < R < 25\text{mm}$   
ST Ferrule End-face Radius :  $10 < R < 25\text{mm}$
- d. Apex Offset :  $< 50\mu\text{m}$
- e. Increase in insertion loss after 500 mating :  $0.2 \text{ dB Max}$
- f. Operation Temperature :  $-20^\circ \text{ to } +70^\circ$
- g. Storage Temperature :  $-40^\circ \text{ to } +80^\circ$

GENERAL TOLERANCE OF DIMENSIONS X.XXX $\pm 0.005$ X.XX $\pm 0.05$ X.X $\pm 0.1$	DRAWING	17.MAR.2009	Connie	<b>rotronic</b>	
	CHECK	17.MAR.2009	KLi		
	APPROVAL	17.MAR.2009	Yty		
		DATE	NAME	ITEM NO.: 21.15.XXXX有吊卡 · 21.99.XXXX無吊卡	
	SCALE	1/1 (A4)	UNIT	mm	DES.: ST to LC Duplex patch cord
		DRAWING NO.	AFAJB020831XXXX(SA1)		
		DRAWING CLASSIFICATION		SHEET	1 OF 1